

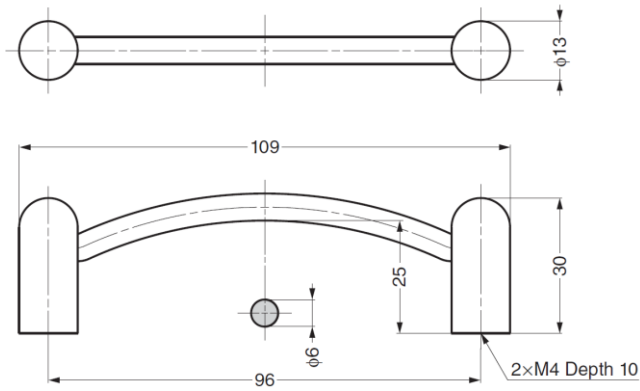
GLX-110 Brass Handle

Material

- Brass, polished or satin nickel finish

Parts Included

- Truss head screw M4×25



Part No.	Finish
GLX-110PB	Polished
GLX-110WB	Satin Nickel

GTMH Gold Plated Handle

Material

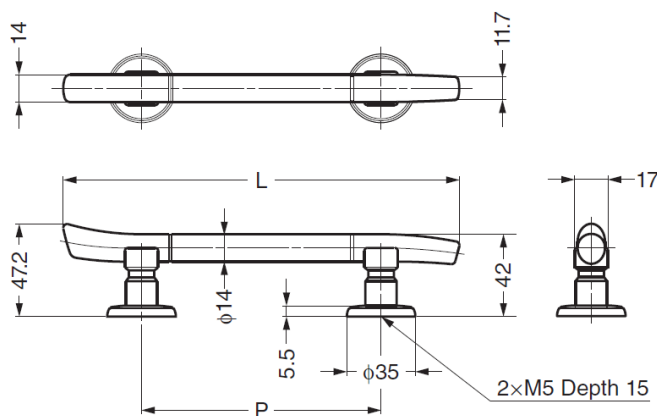
- Body: Brass, 24K gold plating
- Body: Bass, black nickel finish

Parts Included

- Truss head screw M5×30 (SUS)

Sold Separately

- Base plate **GTMH-M35**



Without base plate

Part No.	L	P
GTMH-96	176	96
GTMH-128	208	128
GTMH-160	240	160
GTMH-192	272	192

Base Plate (Sold Separately)

Part No.
GTMH-M35